

C-RAIL-HOOK B Polehook B

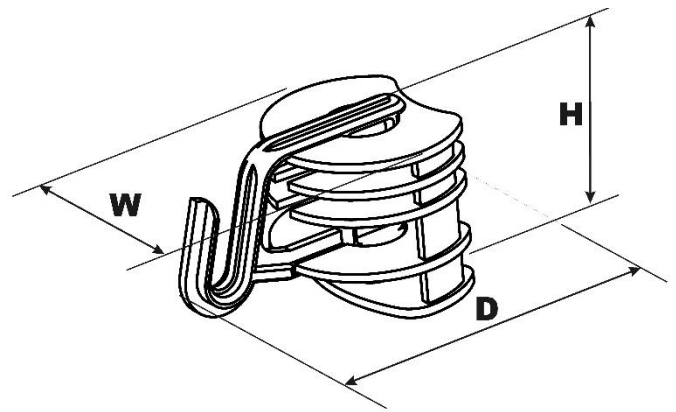
THIS C-RAIL-HOOK has been designed specially for use in combination with the C-RAIL-MESSENGER holder (C-RAIL-BRACKET).

The hooks are made of fiber reinforced polymer to avoid the necessity of grounding procedures that could significantly increase cost/pole installation.

The application specific cross-section design of the hook (Version "B") ensures contact at three points between the fastened holding bracket (C-RAIL-BRACKET) and the hook itself. Contact at three points ensures an even distribution of internal mechanical stress within the hook and bracket ear, thereby reducing the mechanical stress in the process. The multi-contact suspension solution is also designed in such a way to allow free movement (swinging) of the holding bracket, which is required.

This hook-kit includes two components. A riven housing and the hook element.

The C-RAIL-HOOK product can be fixed to round poles made from either wood or concrete. It can be fastened by applying steel tape around the pole, or by using screws, drilling into or through the pole. Installation is also possible in case of concrete square shape poles. In such cases, an additional adapter must be used that fits on the back part of the hook for the corner of the pole.



Product information

Net weight	188 g/kit
Material	PA6 GF30
Vertical load	Max. 900 N

Dimensions

L: 121 mm
W: 80 mm
H: 83 mm

Packaging Information

Box Sizes	
Boxes/pallet	120 boxes

Ordering Description

C-RAIL-HOOK-B-(10) – 10 Sets 20 kits of pole hooks for installation of holding brackets (C-RAIL-BRACKET), packaged in a cardboard box
Content each kit: 1 x riven housing & 1 x Hook B

MPQ (Package Quantity)	20 Kits
MOQ (Minimum Order Quantity)	1 box

Thermal Load*

Storage	-40°C to +60°C
Installation	-5°C to +45°C
In operation	-30°C to +60°C

* Please consider the standards of the used cable!