



## C-RAIL-BRACKET Holding Bracket

The C-RAIL-BRACKET is vital component of the unique, corrugated “C” shape-based C-RAIL-MESSENGER system, designed specifically for optical fiber-based aerial access networks.

The C-RAIL-BRACKET kit includes two identical side plates and one base which provides hinging mechanism for the plates.

### **No grounding process need**

All components are made from dielectric materials (PA6 and PA6GF30), some of them are reinforced with glass fiber additives. This allows the applicability of the product on 0,4 kV energy poles without the need of a time-consuming and costly grounding process.

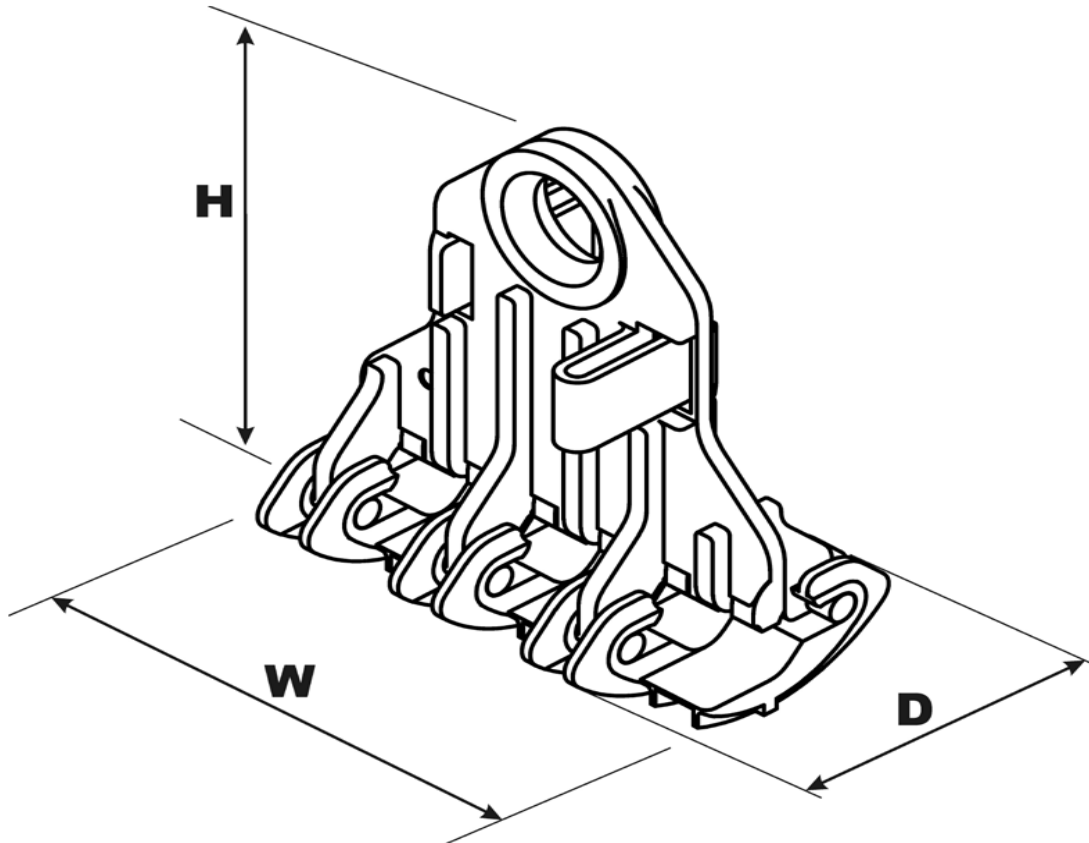
### **Fast and simple Installation**

The product is designed to allow for an extremely fast and simple installation process even at the top of the poles. The usual time of installation is less than 10 seconds.

In order to maximize the pulling ability of the embedded ultra compact optical cable, the bracket fixes the messenger in one possible position, where the opened part of the C-RAIL-MESSENGER is facing upwards.

The product design and its reliable materials allow for multiple usage of the product. Installation is an absolutely tool-free process, which simplifies The network construction work at the top of telecom poles. For specified application possibilities please search look at the C-Rail® Planningguide.

# PRODUCTDETAILS



## Kit contents

Side plate (1)	2 pcs
Base bridge (2)	1 pc

## Product Information

Net weight	106 g/kit
Material	PA6 und PA6GF30
Vertical load	900 N max.
max. horizontal & vertical angular deviation	+10° / -10°

## Dimensions

w: 93 mm
h: 107 mm
d: 59 mm

## Packaging Information

Box sizes	80 cm x 120 cm x 112 cm
Boxes/pallet	120 Boxes

## Ordering Description

C-Rail-Bracket— 20 kits of holding brackets, packaged in carton box	
MPQ (Package Quantity)	20 kits
MOQ (Minimum Order Quantity)	1 MPQ

## Thermal Load\*

Storage	-40°C to +60°C
Installation	-5°C to +45°C
In operation	-30°C to +60°C

\* Please consider the standards of the used cable!

