



C-RAIL-ANCHOR Dead End

Use of the Dead End Frame

The C-RAIL-ANCHOR anchoring system is a key component of the unique, corrugated "C" shapebased messenger system, designed specifically for optical fiber based aerial access networks.

The C-RAIL-ANCHOR kit includes a "C" shape messenger (C-RAIL-MESSENGER) specific frame which fits precisely to the back part of the C-RAIL-MESSENGER when the C-RAIL-MESSENGER is placed in it.

The kit includes a wedge as well. The bottom part contour of the wedge adapts to the outer shape of the other side of the C-RAIL-MESSENGER. When the wedge is on top of the C-RAIL-MESSENGER – which has been inserted previously into the house – the wedge is forced down into the messenger body.

Higher pulling force over the C-RAIL-MESSENGER generates higher compressive strength – consequently, higher gripping force between the frame/messenger/wedge group.

No grounding process needed

Components are made from dielectric materials which ensures applicability of the product on 0,4 kV aerial electricity lines without the need for a time-consuming and costly grounding process.

Easy, timesaving installation

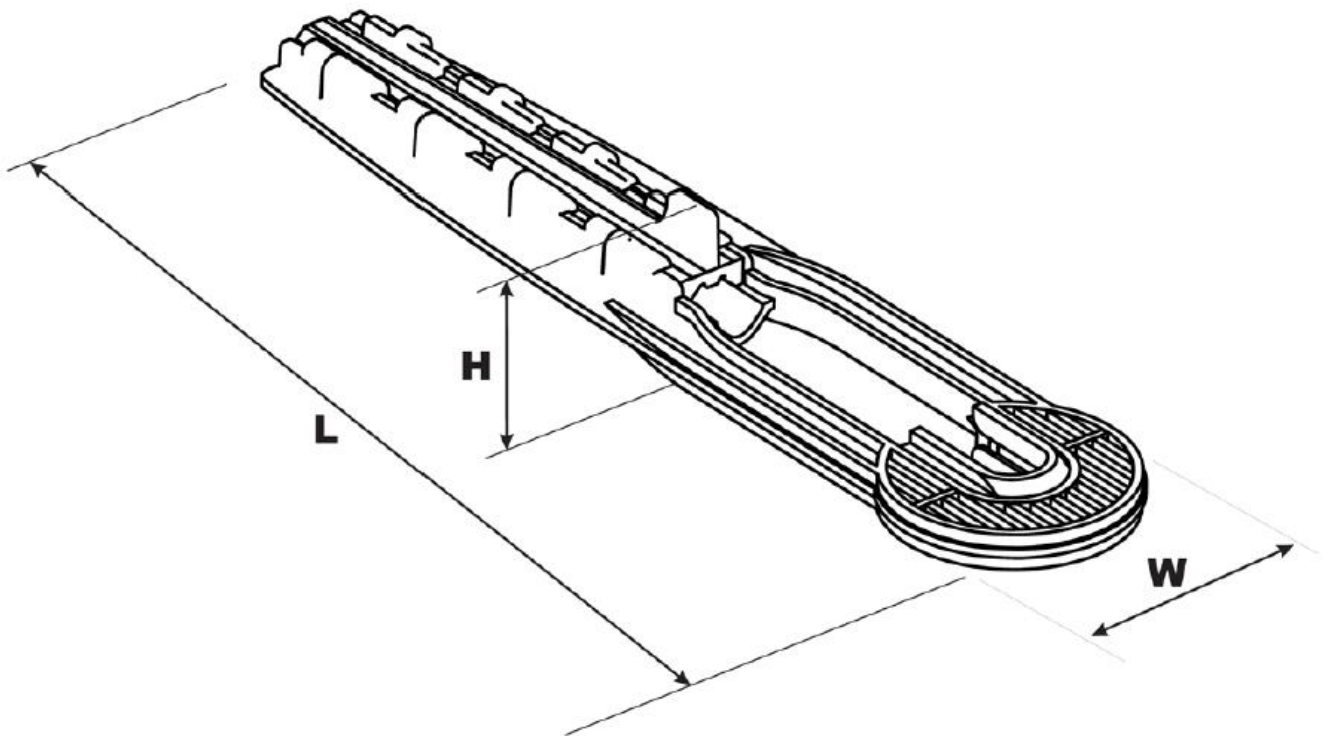
Work on the top of the poles is usually one of the most expensive parts of the installation, as it always requires assistance of different lifting machinery, furthermore, it usually requires some kind of traffic restriction or management on the roads which increases the installation cost/pole further. Consequently, it really does count how much time an installer has to spend with installation of the system.

C-RAIL-ANCHOR helps to reduce this time significantly.

Messenger-specific design, low number of components, a tool-free installation process results in an effective time of installation of less than 15 seconds.

Please look at C-Rail® Planningguide for further information on use.

PRODUCTDETAILS



Kit contents

Hook adapter inset (1)	1 pc
Anchoring frame (2)	1 pc
Wedge (3)	1 pc

Product Information

Net weight	106 g/kit
Material	PA6 und PA6GF30
Tensile load, long term	Max. 2.500 N

Dimensions

L: 367 mm
W: 82 mm
H: 45 mm

Packaging Information

Box sizes	80 cm x 120 cm x 96 cm
Boxes/pallet	50 Boxes

Ordering Description

C-Rail-Anchor– 20 kits of dead end terminations, packaged in carton box	
MPQ (Package Quantity)	20 kits
MOQ (Minimum Order Quantity)	1 MPQ

Thermal Load *

Storage	-40°C to +60°C
Installation	-5°C to +45°C
In operation	-30°C to +60°C

* Please consider the standards for the used cable!