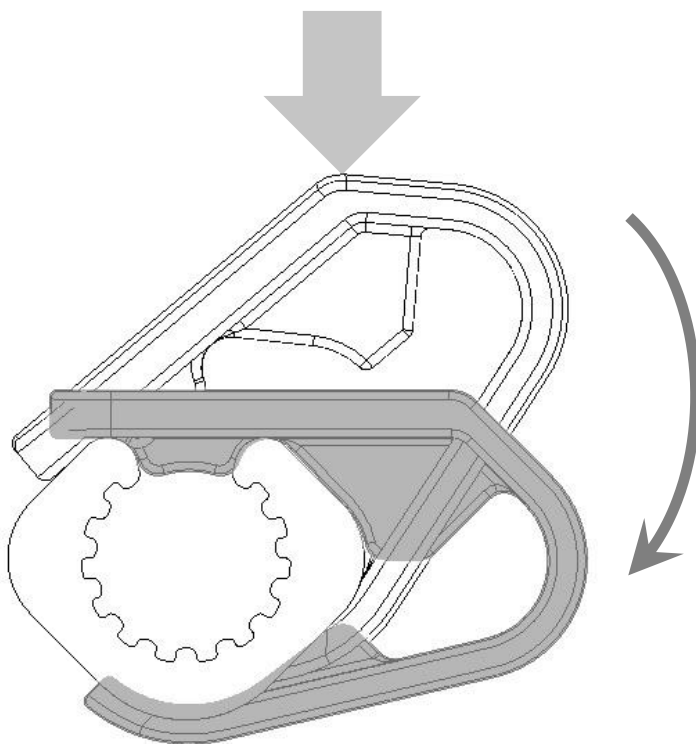


1.) Positioning

Push the C-RAIL-CLIP along the line shown by the grey block arrow of the attached drawing. Move it forward until the internal radius of the clip (1) contacts the surface of the messenger at the position shown by the arrow (2).



2.) Fixing

Apply force on the clip as block arrow shows. Push and turn down the clip until it locks itself around the messenger. The grey clip shows the requested final position.

C-RAIL-CLIP product must be used at every drop off point of the cable to secure the position of dropping. Two clips must be applied for every holding bracket installation (C-RAIL-BRACKET) and one for dead end frame installation (C-RAIL-ANCHOR) if the cable needs to be dropped before going through the frame.