

C-RAIL-CLOSURE –MOUNT 1,2&3 Mounting Bracket & Extension for OFDC Closures

The Mounting Bracket for OFDC Closures is a pair of stainless steel products, designed specifically for OFDC closures to fix them either on a wall or on a pole. These products can be used as individual items or in combination with each other depending on what functions are going to be applied for OFDC mounting. Each product must be ordered as individual item.

C-Rail Closure Mount 1&2 ensures closure fixing on different environment (wall, pole). Wall mounting is naturally executed by using screw nails, while pole mounting can also be done by application of steel strapping tapes.

C-Rail Closure Mount 3 is a complementary product to the C-RAIL-BRACKET. By using this addition, significant length of excess cable storage becomes available around the closure.

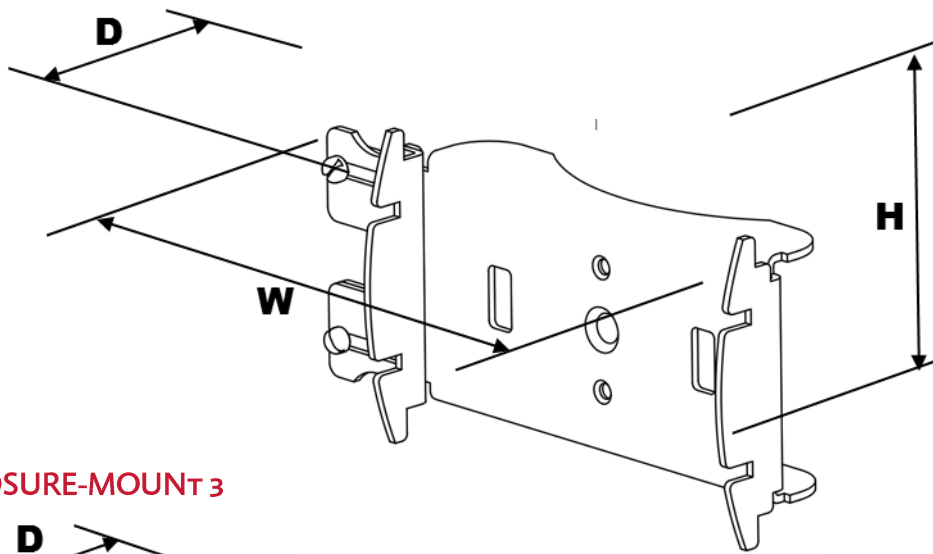
The extension can be installed on a wall or on a pole without a C-RAIL-BRACKET. In this case, it provides storage function for excess length of optical cables.

For wall installation use two pcs of standard screw nail / dowel combinations where the screw shaft diameter is in the 5-7 mm range.

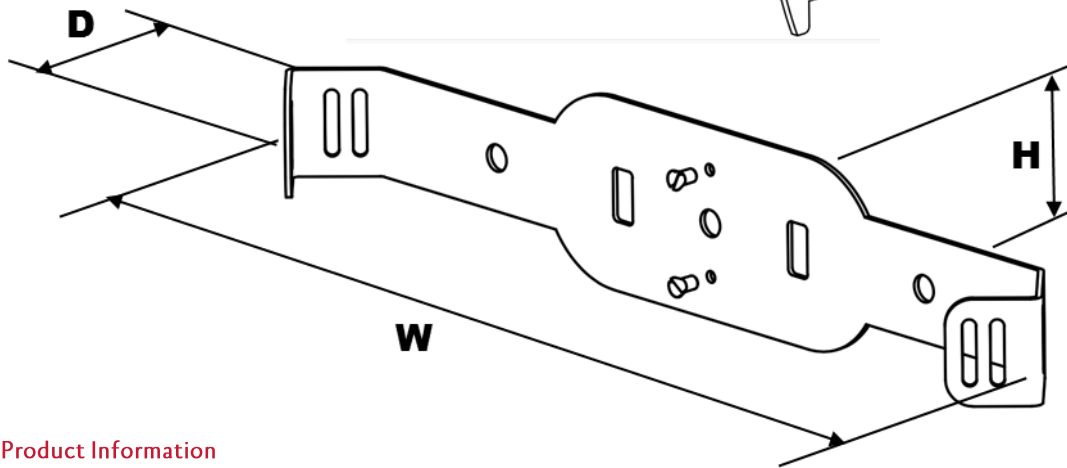
The pole installation requests a stainless steel band to feed it through the oval cuttings then hook it around the pole and fix it according to the relevant process. Use less than 20mm wide bands.

PRODUCTDETAILS

C.-RAIL -CLOSURE-MOUNT 1&2



C-RAIL-CLOSURE-MOUNT 3



Product Information

Net weight	680.gr /pc (Closure Mount 1&2) 510 gr / pc (Closure Mount 3)
Material	Stainless steel

Sizes

W:	198 mm (Closure Mount 1&2) 386 mm (Closure Mount 3)
D:	51 mm (Closure Mount 1&2) 49 mm (Closure Mount 3)
H:	100 mm (Closure Mount 1&2) 49 mm (Closure Mount 3)

Ordering information

Ordering description	C RAIL CLOSURE MOUNT 1&2 C RAIL CLOSURE MOUNT 3
Packaging quantity	1 pc
MOQ (Minimum ordering quantity) Closure Mount 1&2	50 pc
MOQ (Minimum ordering quantity) Closure Mount 3	1 pc