

C-RAIL-BRACKET WALL 1&2

Wall / Pole Mounting Bracket for
BUDI-S and BUDI-1S boxes

BUDI-W/P-MOUNTING bracket is a stainless steel product, which exists in two sizes to fix BUDI-1S or BUDI-S size boxes either on the wall or on a pole. The product includes two parts which slide over each other, ensuring easy closing and opening process when removal of boxes becomes necessary.

The product provides different installation methods. For wall installation use two pcs of standard screw nail / dowel combinations, where the screw shaft diameter is between 5-7

The pole installation requests a stainless steel band to feed it through the oval cuttings before hooking it around the pole and fixing it according to the relevant process. Use less than 20mm wide bands.

The product is available in two different sizes:

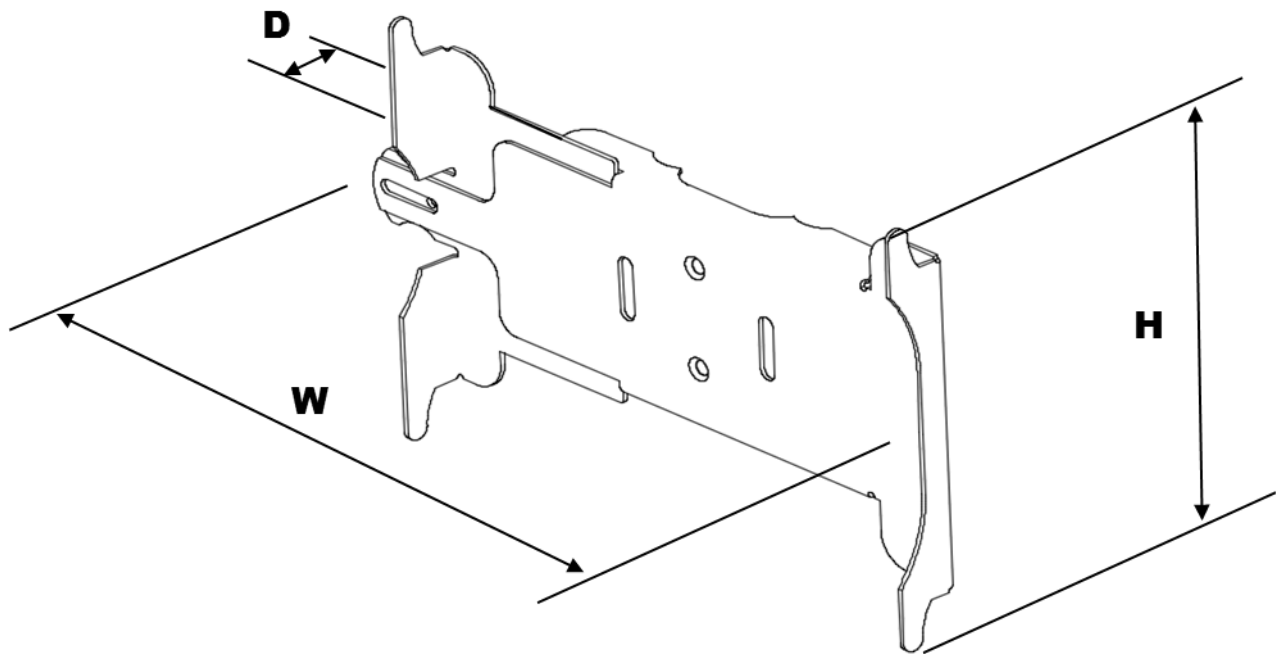
BUDI-W/P-MOUNTING-1S

BUDI-W/P-MOUNTING-S

- product for BUDI-1S wall box installation

- product for BUDI-S wall box installation

PRODUCTDETAILS



Product Information

| | |
|------------|----------------------------------|
| Net weight | ...gr /pc (BUDI-W/P-MOUNTING-1S) |
| | ...gr / pc (BUDI-W/P-MOUNTING-S) |
| Material | Stainless steel |

Sizes

| | |
|----|------------------------------|
| W: | mm (BUDI-W/P-MOUNTING-1S) |
| | 327 mm (BUDI-W/P-MOUNTING-S) |
| D: | mm (BUDI-W/P-MOUNTING-1S) |
| | 52 mm (BUDI-W/P-MOUNTING-S) |
| H: | mm (BUDI-W/P-MOUNTING-1S) |
| H: | mm (BUDI-W/P-MOUNTING-1S) |
| | 205 mm (BUDI-W/P-MOUNTING-S) |

Ordering information

| | |
|---------------------------------|---------------------------------|
| Ordering description | C-RAIL BRACKET WALL 1 (BUDI-1S) |
| | C-RAIL BRACKET WALL 2 (BUDI-S) |
| Packaging quantity | 1 pc |
| MOQ (Minimum ordering quantity) | 1 pc |