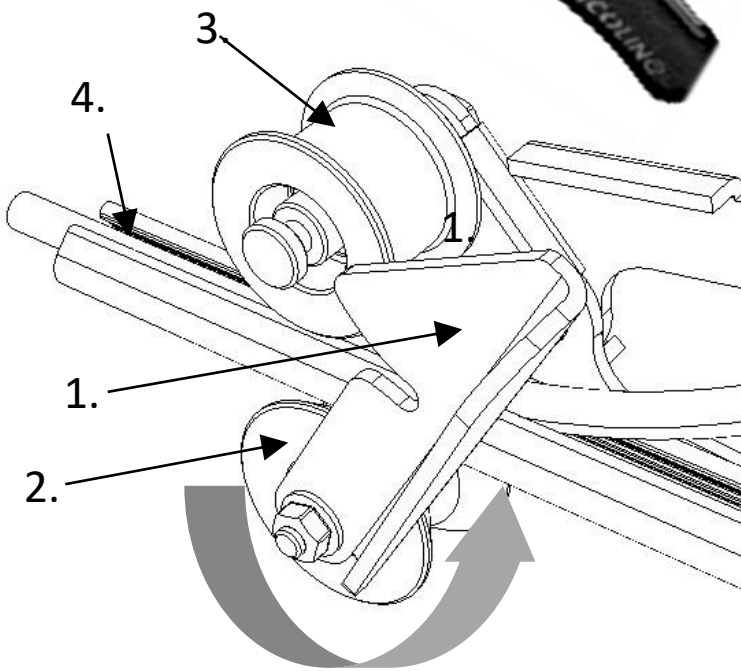


C-RAIL-TOOL01 is a simple and reliable hand tool to insert the optical cable into the messenger to create a full value aerial construction. It is used at the time and place of installation, operated by one of the installation team members.



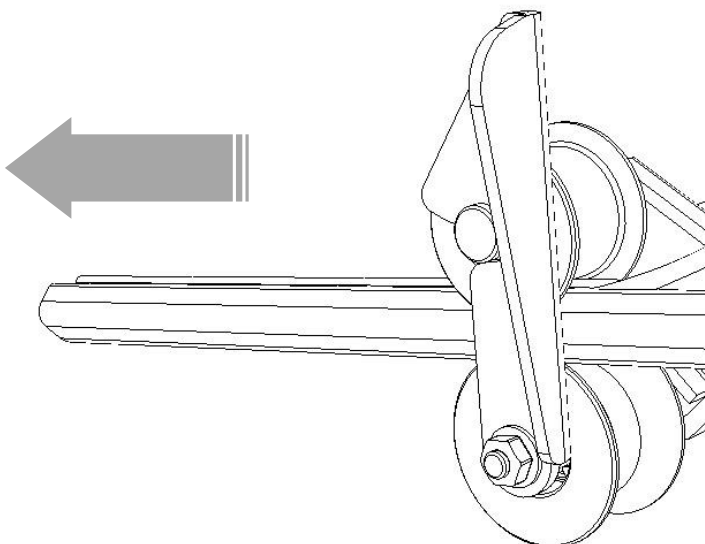
1.) Positioning the tool

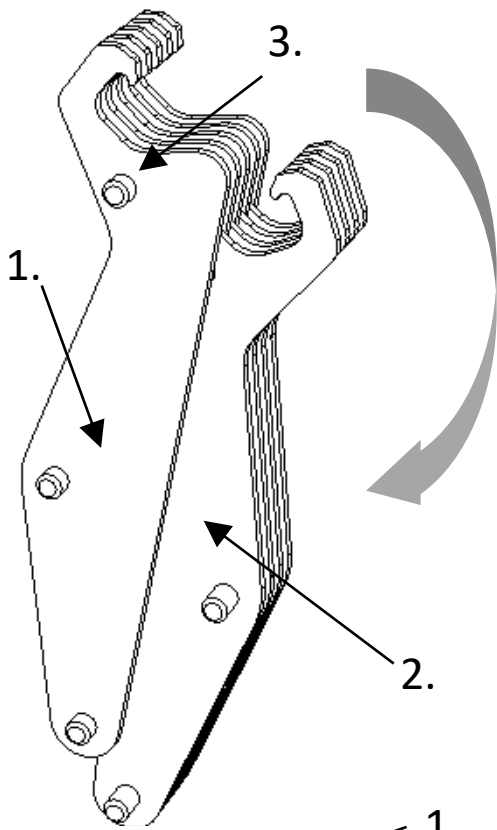
Push the cable manually into the messenger along the first few centimetres. (4)

Unclasp the closing plate of the tool (1)
Open the tool and position it around the messenger as the drawing shows. The supporting roller (2) goes to the back side of the messenger, while inserting roller (3) goes to the opened part. Close the tool, then lock the "closing plate" (1) as thumb arrow shows.

2.) Operating the tool

The tool must be operated by the person who stays at the drums, controlling the unrolling process of cable and messenger and keeps the tool in position while other colleagues pull away the messenger (with inserted cable) along the line of poles. Block arrow shows the way of pulling.

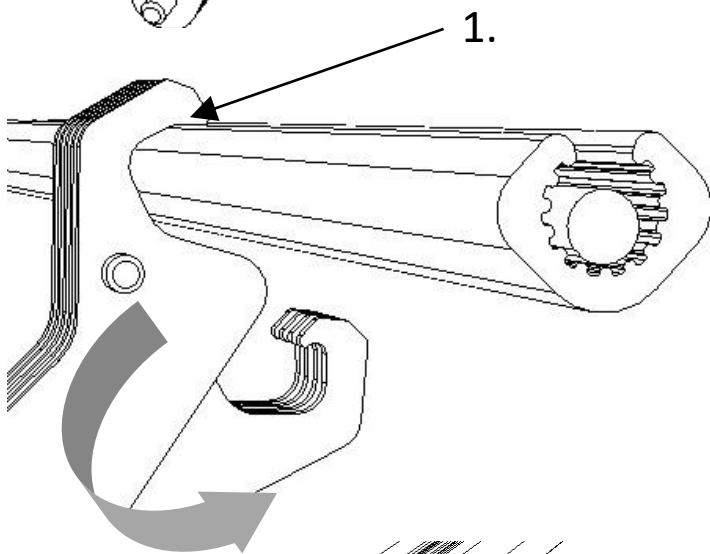




1.) Tool setting

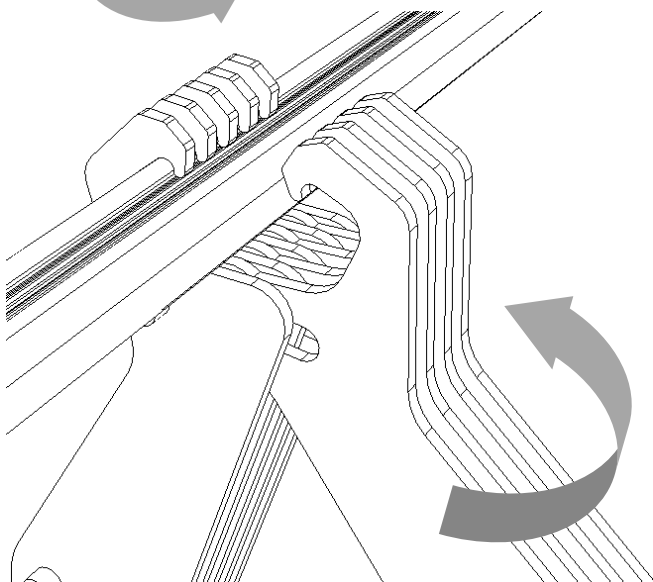
The tool has two parts which can be rotated and slide away around and from each other. The fix part (1) and the movable, rotatable part (2) are connected with an axle - position showed by arrow no.: 3.

In order to place the opening tool around the messenger, it needs to be set in the position shown in figure to the left.

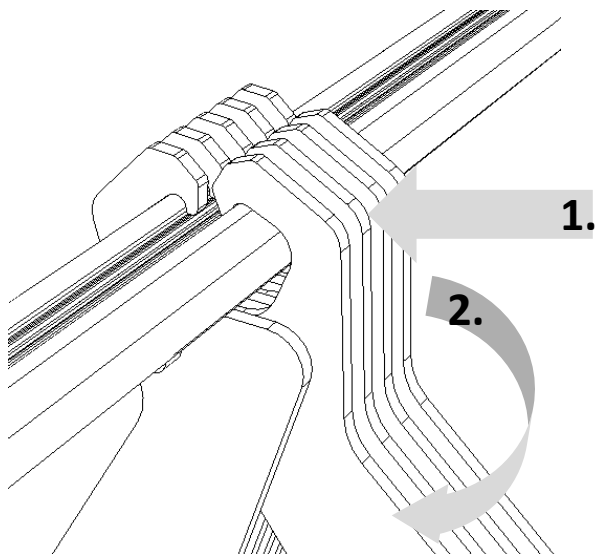


2.) Positioning the tool around the messenger.

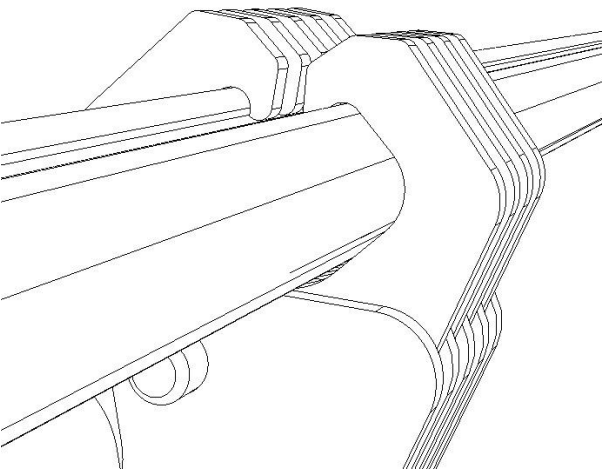
Keep the tool in the previously set form, move and hook the fix part of the tool on the edge of the messenger as the attached drawing shows. Turn the tool as block arrow shows until it stops.



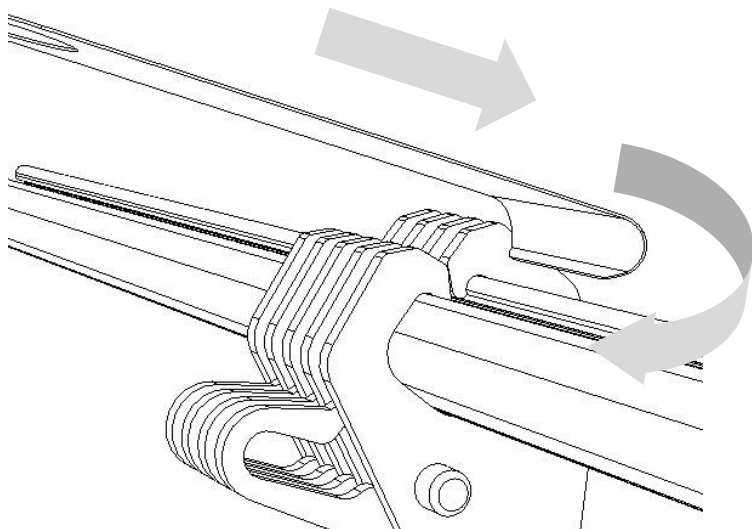
3.) While holding the fix part of the tool in position, hooked around the messenger – turn up the moving part of the tool as figure shows.



4.) Push the movable part of the tool towards the messenger (1) until it “jumps” over the edge. Then turn the movable part down till it stops and the tool surrounds the messenger precisely.

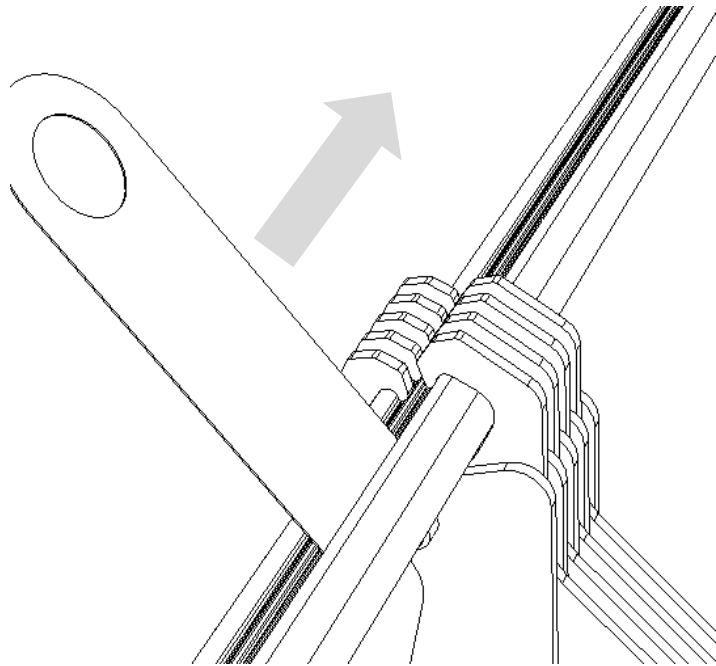


5. Now the tool is positioned and ready for operation. (messenger opening)

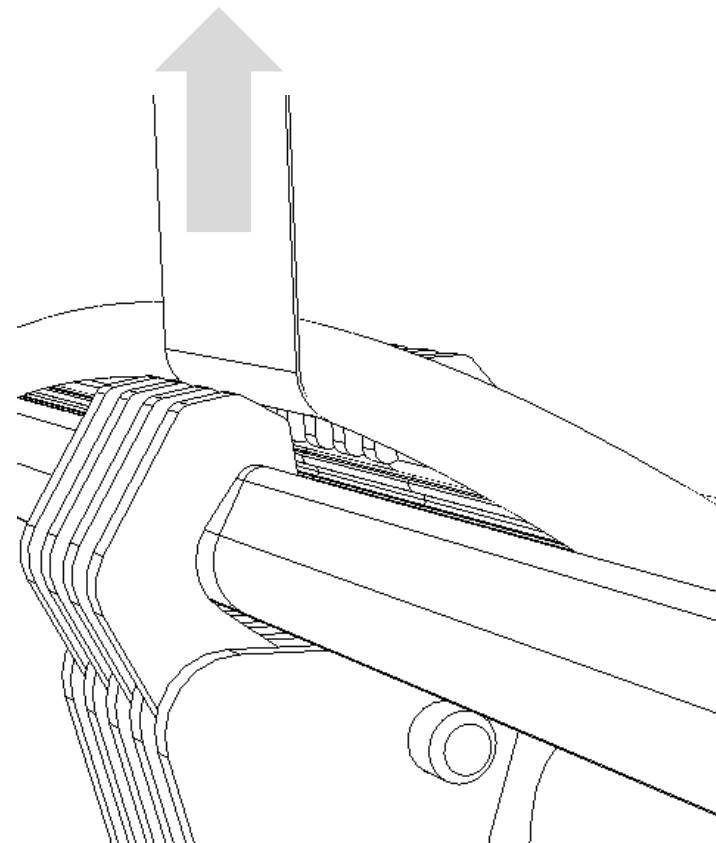


6.) Move the Exit Tool (Tool 3) as picture shows. Push it into the messenger in between the cable and the messenger .

C-RAIL-CLIP



7.) After positioning the Exit Tool around the cable, move it towards the tool until the middle position is reached.



8.) When the Exit Tool is positioned in the middle of the tool – operate the hand tool to open the messenger. Lift the cable up by moving Tool 3 upwards as the drawing shows.

Move the cable up just a few centimeters, remove the plate, then remove the tool as well.

Increase the cable loop size and length according to the system installation instruction by manual pulling of the cable.