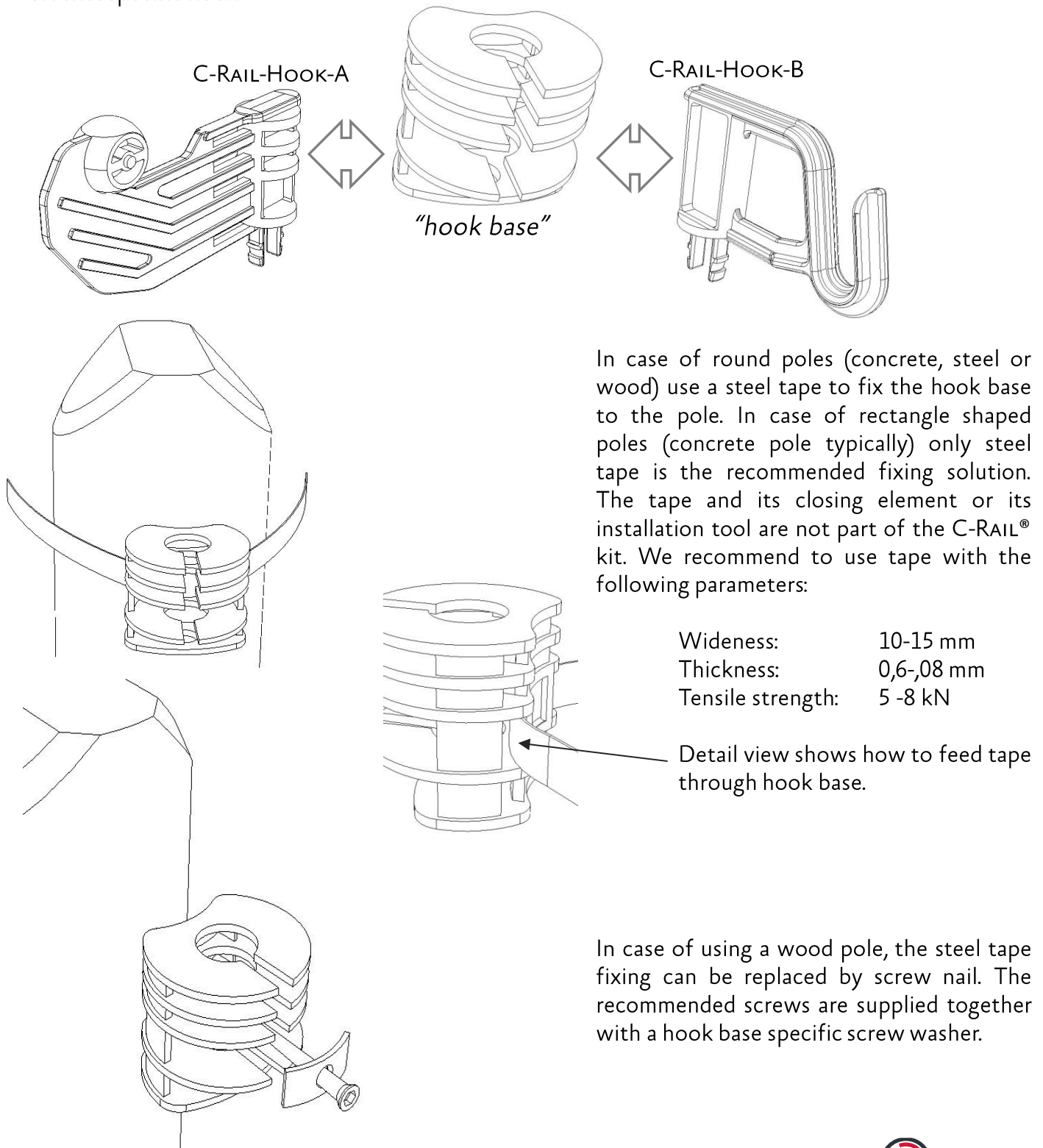


In general:

The C-RAIL® aerial access network cabling system includes two types of pole hooks. C-RAIL-HOOK-A is designed to connect and fix the anchoring frame (C-RAIL-ANCHOR) to poles, while version C-RAIL-HOOK-B is designed to fix messenger holding brackets (C-RAIL-BRACKET). Both versions have one common component named "hook base" which holds either anchoring frame specific or holding bracket specific hook.

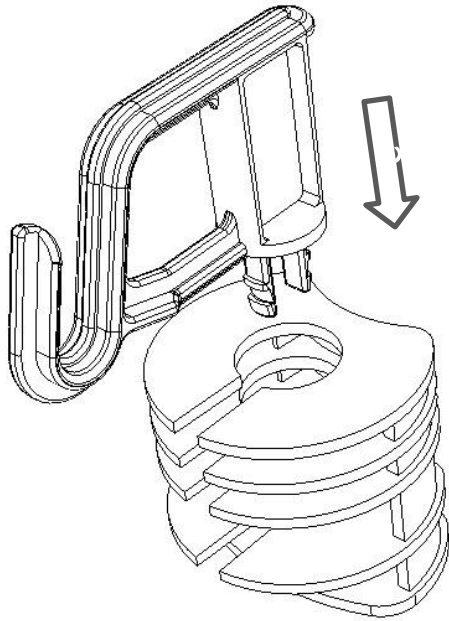


In case of round poles (concrete, steel or wood) use a steel tape to fix the hook base to the pole. In case of rectangle shaped poles (concrete pole typically) only steel tape is the recommended fixing solution. The tape and its closing element or its installation tool are not part of the C-RAIL® kit. We recommend to use tape with the following parameters:

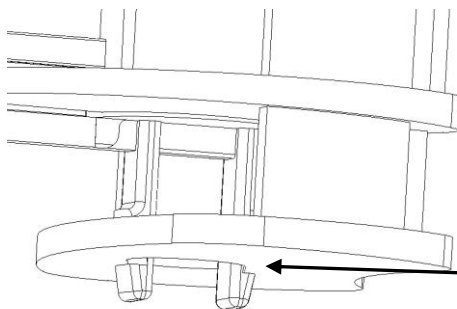
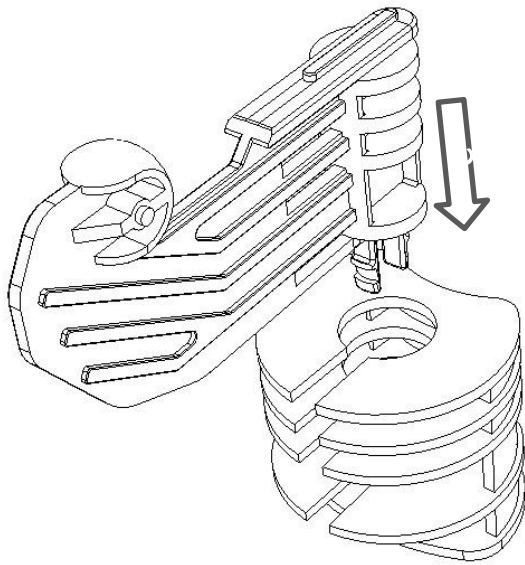
Wideness:	10-15 mm
Thickness:	0,6-,08 mm
Tensile strength:	5 -8 kN

Detail view shows how to feed tape through hook base.

In case of using a wood pole, the steel tape fixing can be replaced by screw nail. The recommended screws are supplied together with a hook base specific screw washer.



Depending on the type of C-RAIL—Hook... kit, push the C-RAIL-CLIP hook or anchor components into the base as pictures show. Push down firmly until it locks. The hook component (C-RAIL-HOOK-B) stays in fixed position, while the anchor (C-RAIL-HOOK-A) remains able to rotate left and right by app. 85°. This feature of the anchoring frame kit (C-RAIL-HOOK-A) ensures that the anchors occupy the most ideal position under tension



Make sure, that anchor or hook has been locked correctly