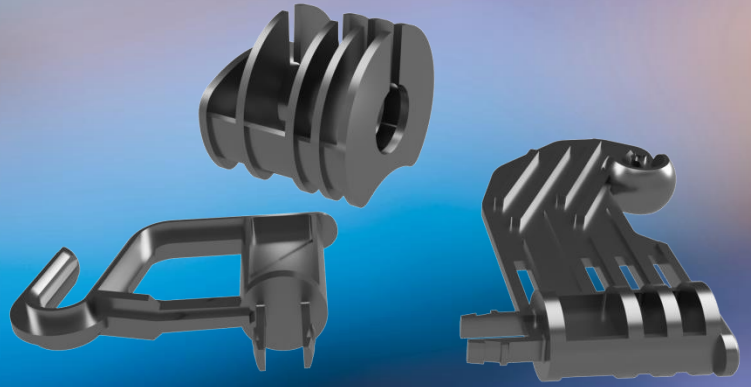




C-RAIL Hook A & B Polehook



C-RAIL-HOOK products have been designed specifically for use in combination with system dead-end frames (*C-RAIL-ANCHOR*) and messenger holders (*C-RAIL-BRACKET*).

The hooks are made of fiber reinforced polymer to avoid the necessity of grounding procedures that could significantly increase cost/pole installation costs.

The spherical suspension area of version "A" ensures a large contact surface between the anchoring frame and the hook itself. A large contact surface decreases the level of material abrasion and ensures the required tensile strength and reliability during its service life.

The inserted hook element can be rotated freely to the left and right by 80° within the housing horizontally. This feature ensures that the hook will automatically occupy the straight-line-position with relation to the C-RAIL-MESSENGER as soon as tensile strength is applied. This self-setting feature of the hook provides supports to the dielectric components, providing and ensuring the best mechanical performance possible. While the swivel hook enables horizontal movement of the connected dead-end frame, the spherical suspension area enables vertical rotation of dead-end frame, thereby allowing it to travel along with the stretched messenger system's random swing caused by the wind.

While this complex system provides the dead-end

frame's unrestricted movement with the swinging messenger, it does not allow for any twisting to take place on the messenger during operation. It is continuously positioned with the riven part facing upward. This is an important feature for maximizing the pulling capability of the pre-inserted ultralight optical cable – which is a unique and important feature of the system that makes additional cable extension fast and easy whenever it is required.

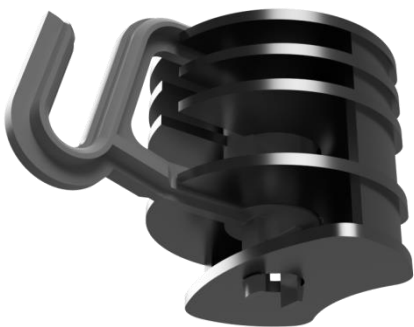
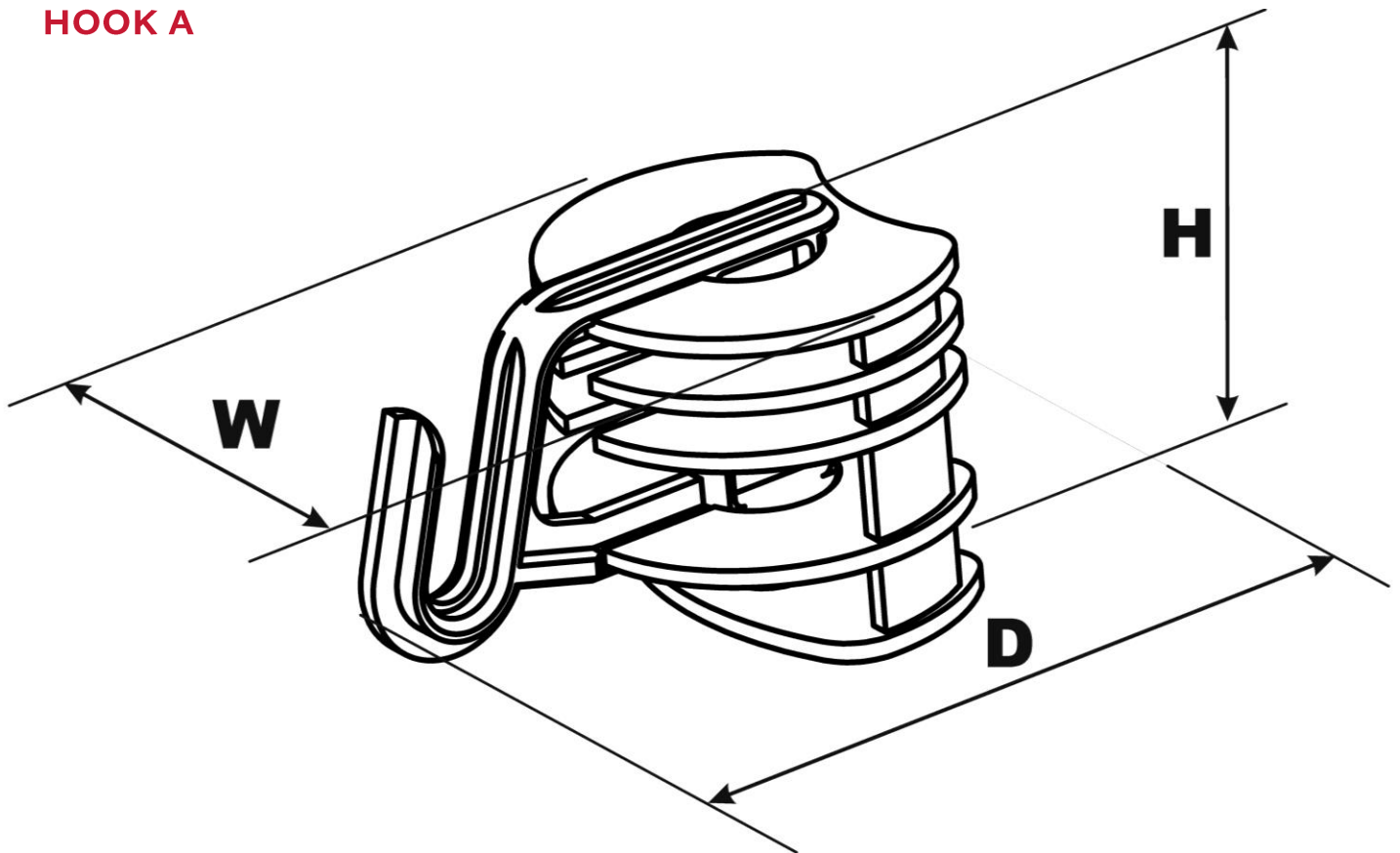
The application specific cross-section design of the hook (Version "B") ensures contact at three points between the fastened holding bracket (*C-RAIL-BRACKET*) and the hook itself. Contact at three points ensures an even distribution of internal mechanical stress within the hook and bracket ear, thereby reducing the mechanical stress in the process. The multi-contact suspension solution is also designed in such a way as to allow free movement (swinging) of the holding bracket to take place, which is required.

Both product variation includes two components. A riven housing and the hook element.

The C-RAIL-HOOK product can be fixed to round poles made from either wood or concrete. It can be fastened by applying steel tape around the pole, or by using screws, drilling into or through the pole. Installation is also possible in case of concrete square shape poles. In such cases, an additional adapter must be used that fits on the back part of the hook for the corner of the pole.

PRODUCT DETAILS

HOOK A



PRODUCT INFORMATION

Net weight	188g/kit
Material	PA6 GF30
Horizontal load	Max. 1800 N

DIMENSIONS

D: ... mm
W: ... mm
H: ... mm

PACKAGING INFORMATION

Box Sizes	22 cm x 22 cm x 22 cm
Boxes/pallet	90 boxes

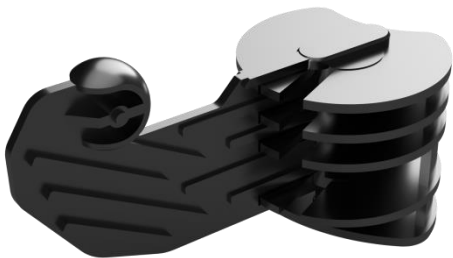
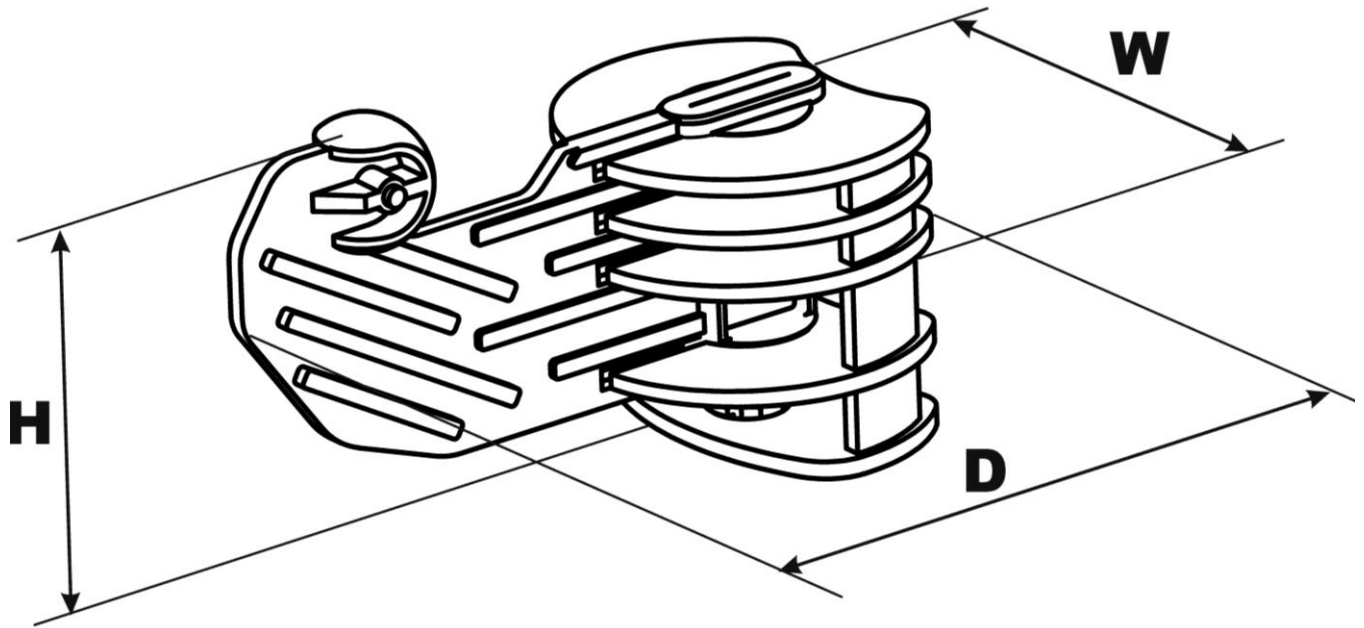
ORDERING DESCRIPTION

C-Rail-Hook-A-(20) – 20 kits of pole hooks for the installation of anchoring frames (C-RAIL-ANCHOR), packaged in a cardboard box. Content each kit: 1 x riven housing & 1 x HookA

MPQ (Package Quantity)	20 Kits
MOQ (Minimum Order Quantity)	1 box

PRODUCT DETAILS

HOOK B



PRODUCT INFORMATION

Net weight	188 g/kit
Material	PA6 GF30
Vertical load	Max. 400 N

DIMENSIONS

D: ... mm
W: ... mm
H: ... mm

PACKAGING INFORMATION

Box Sizes	22 cm x 22 cm x 22 cm
Boxes/pallet	90 boxes

ORDERING DESCRIPTION

C-RAIL-HOOK-B-(10) – 10 Sets	20 kits of pole hooks for installation of holding brackets (C-RAIL-BRACKET), packaged in a cardboard box Content each kit: 1 x riven housing & 1 x Hook B
MPQ (Package Quantity)	20 Kits
MOQ (Minimum Order Quantity)	1 box